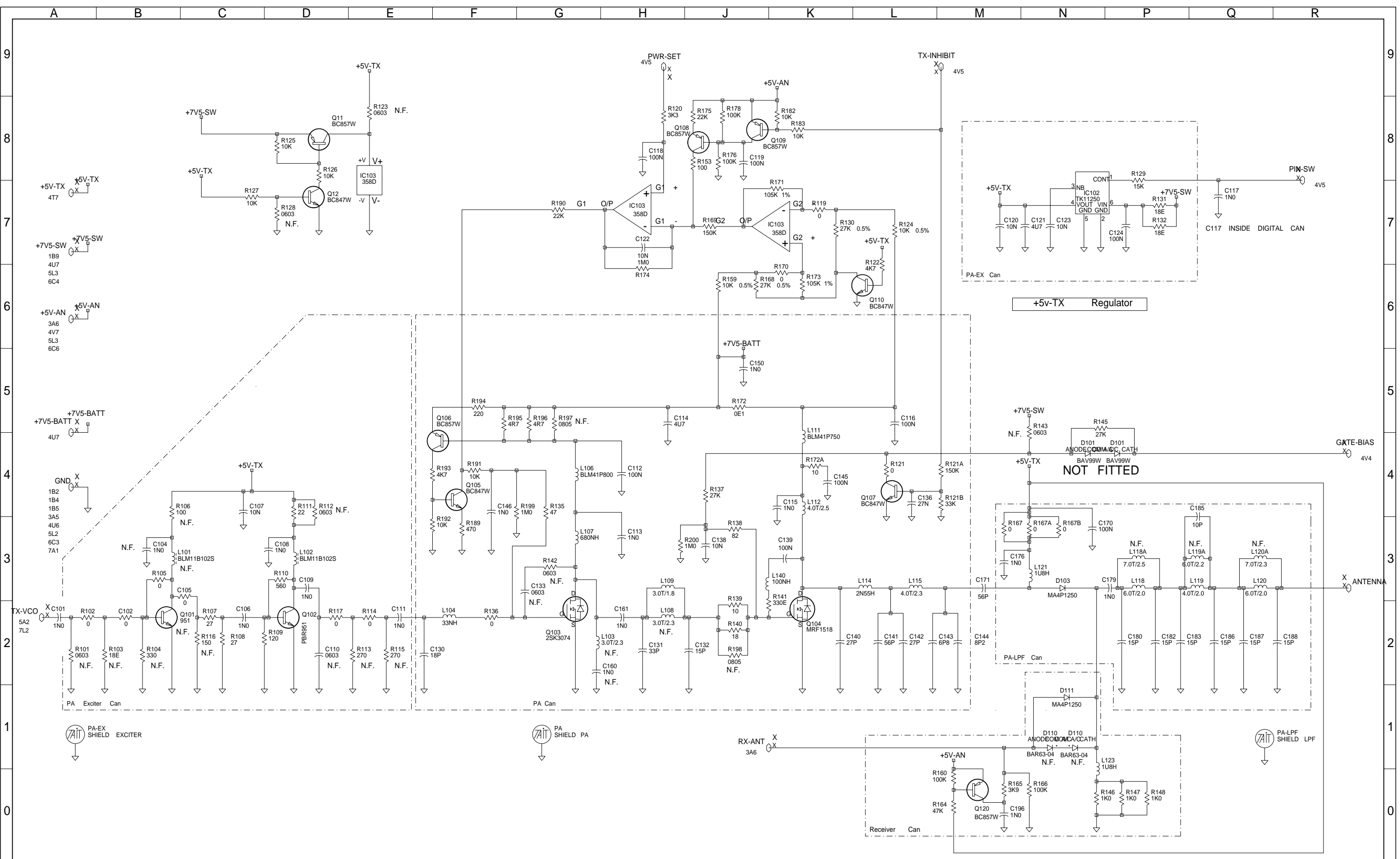


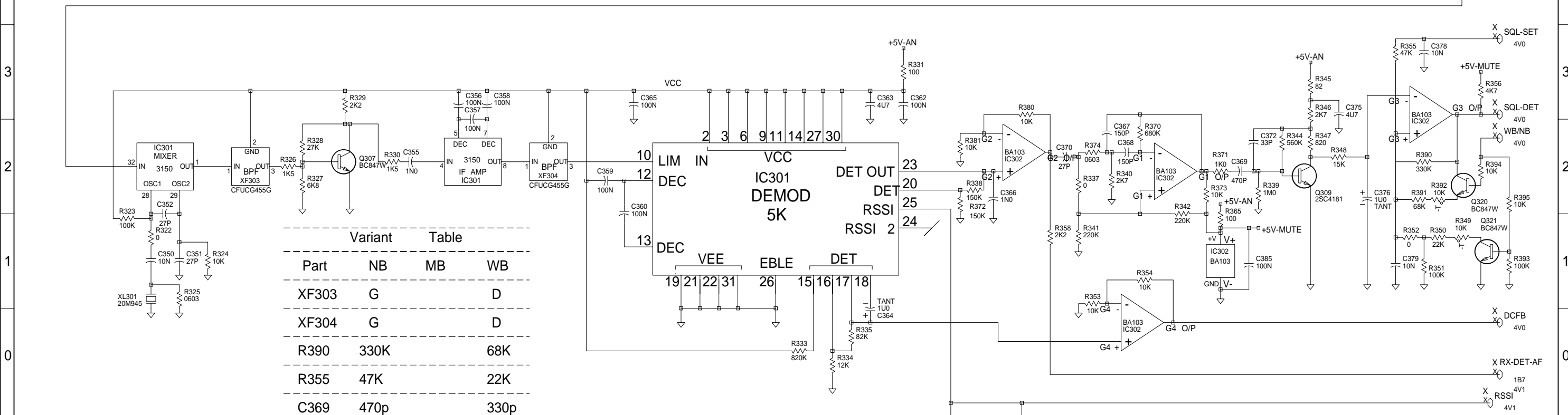
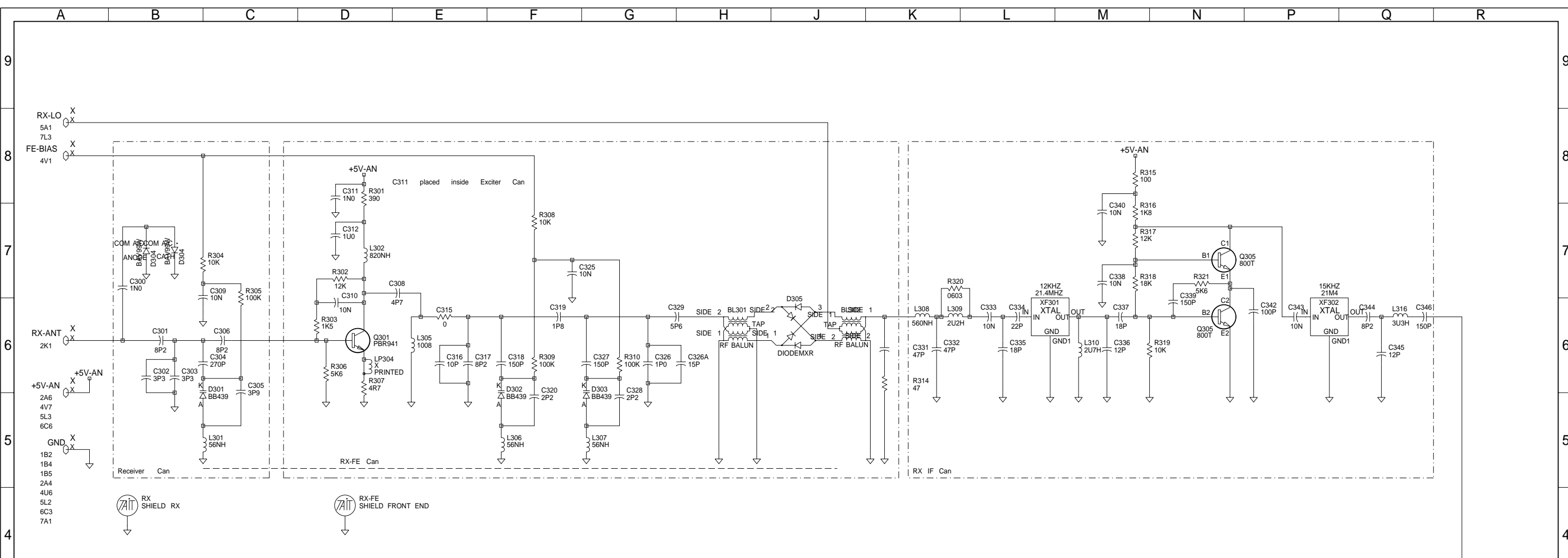
04C	ECO 501444 VALUE CHANGES PA	BRD	X	X	X	18-09-02
04B	PROFLOW PASTE CREATED	BRD				28-05-02
04A	CCO NO. 1654-004	BRD				15-03-01
03B	CCO NO. 1654-003	BRD				08-01-01
03A	CCO NO. 1654-002	BRD				26-09-00
02A	CCO NO. 1654-001	BRD				09-8-00
01A	NEW PA LINEUP SYNTH RX	BRD				10/07/00
REV/ISS	AMENDMENTS	DRAWN	CHKD	D.O.	APVD	DATE

© TAIT ELECTRONICS	
TOP T5K	174-225MHZ
SYSTEM DIAGRAM	
IPN: 220-01654-04	ISSUE: C 2.SC. 1
PROJECT: TAIT ORCA	DESIGNER: BRD
FILE NAME: 165404c	DATE: 18-Sep-02
NO. SHEETS: 7	



© TAIT ELECTRONICS
 TOP T5K 174-225MHZ
 POWER AMPLIFIER
 IPN: 220-01654-04 ISSUE: C 2.SC. 2
 PROJECT: TAIT ORCA DESIGNER: BRD FILE NAME: 165404c FILE DATE: 18-Sep-02 NO.SHEETS: 7

REV/ISS	AMENDMENTS	DRAWN	CHKD	D.O.	APVD	DATE
A						
B						
C						
D						
E						



Variant Table

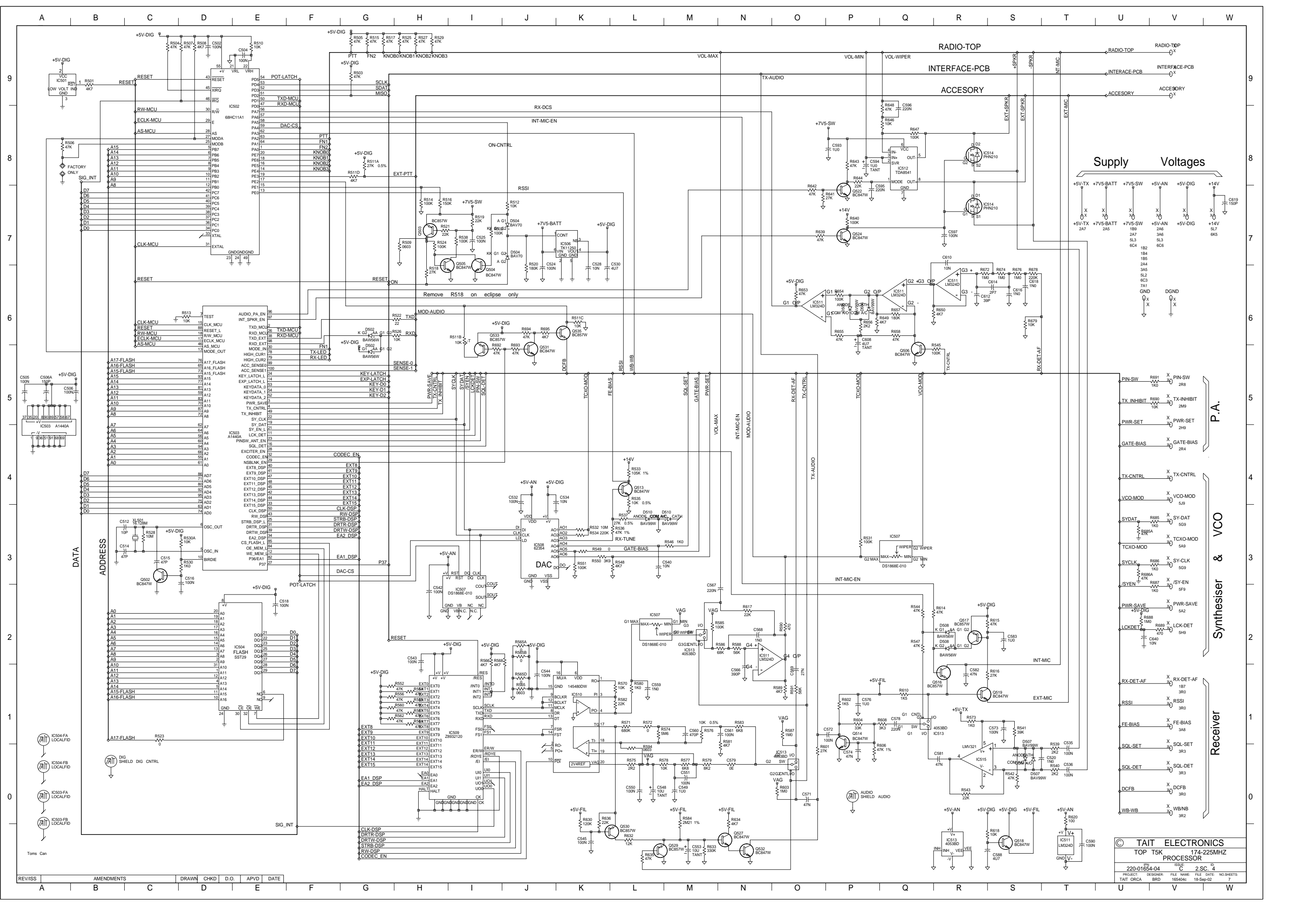
Part	NB	MB	WB
XF303	G		D
XF304	G		D
R390	330K		68K
R355	47K		22K
C369	470p		330p

TAIT ELECTRONICS
 TOP T5K 174-225MHZ
 RECEIVER

IPN: 220-01654-04 ISSUE: C ID: 2.SC. 3

PROJECT: TAIT ORCA DESIGNER: BRD FILE NAME: 165404c DATE: 18-Sep-02 NO.SHEETS: 7

REV/ISS	AMENDMENTS	DRAWN	CHKD	D.O.	APVD	DATE

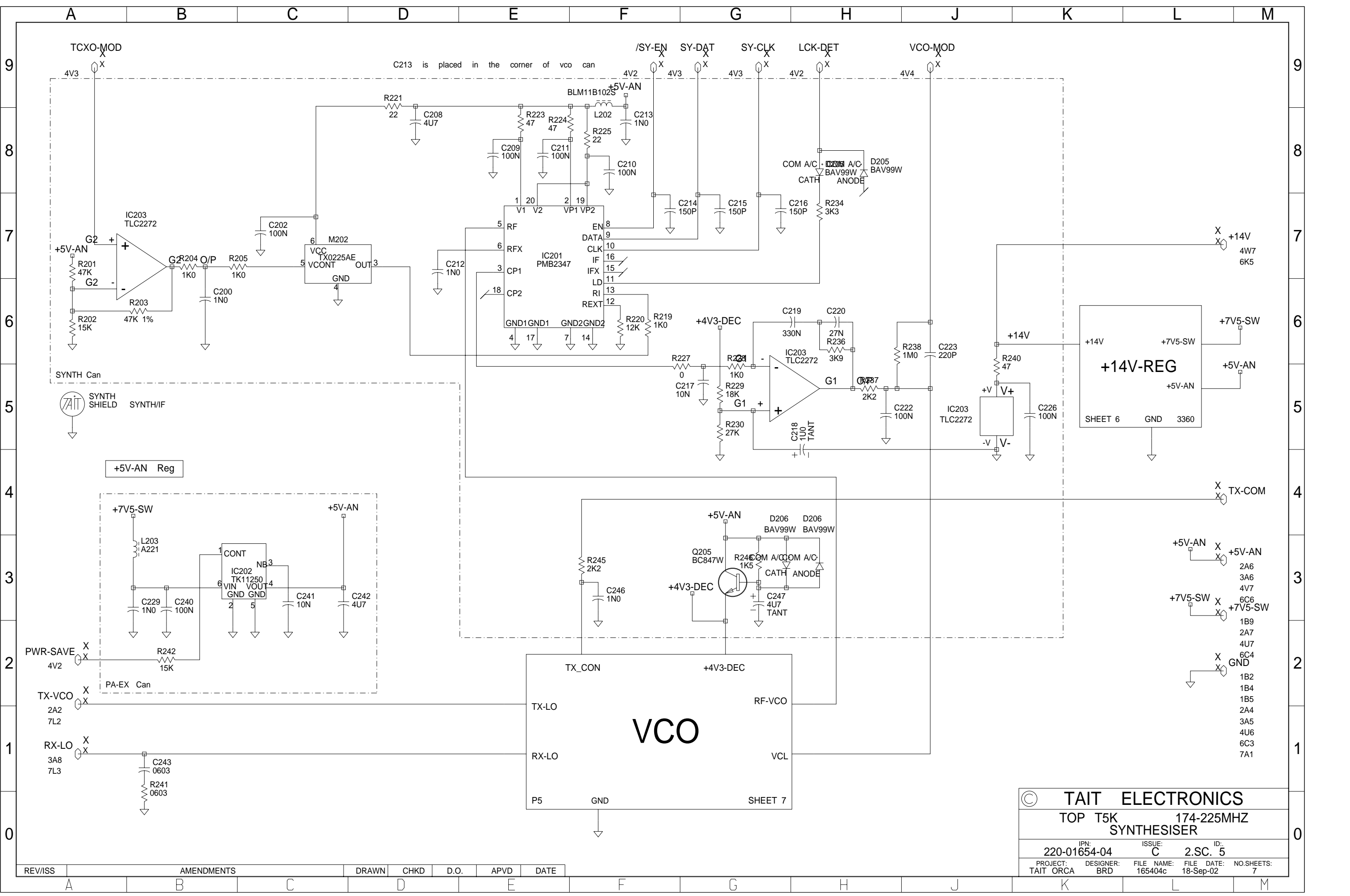


Supply Voltages

+5V-TX	+7V5-BATT	+7V5-SW	+5V-AN	+5V-DIG	+14V
X 2A7	X 2A5	X 1B9	X 2A6	X 5L3	X 6K5
X 1B4	X 1B5	X 2A4	X 3A5	X 5L2	X 6C3
X 7A1	X GND	X GND	X GND	X GND	X GND

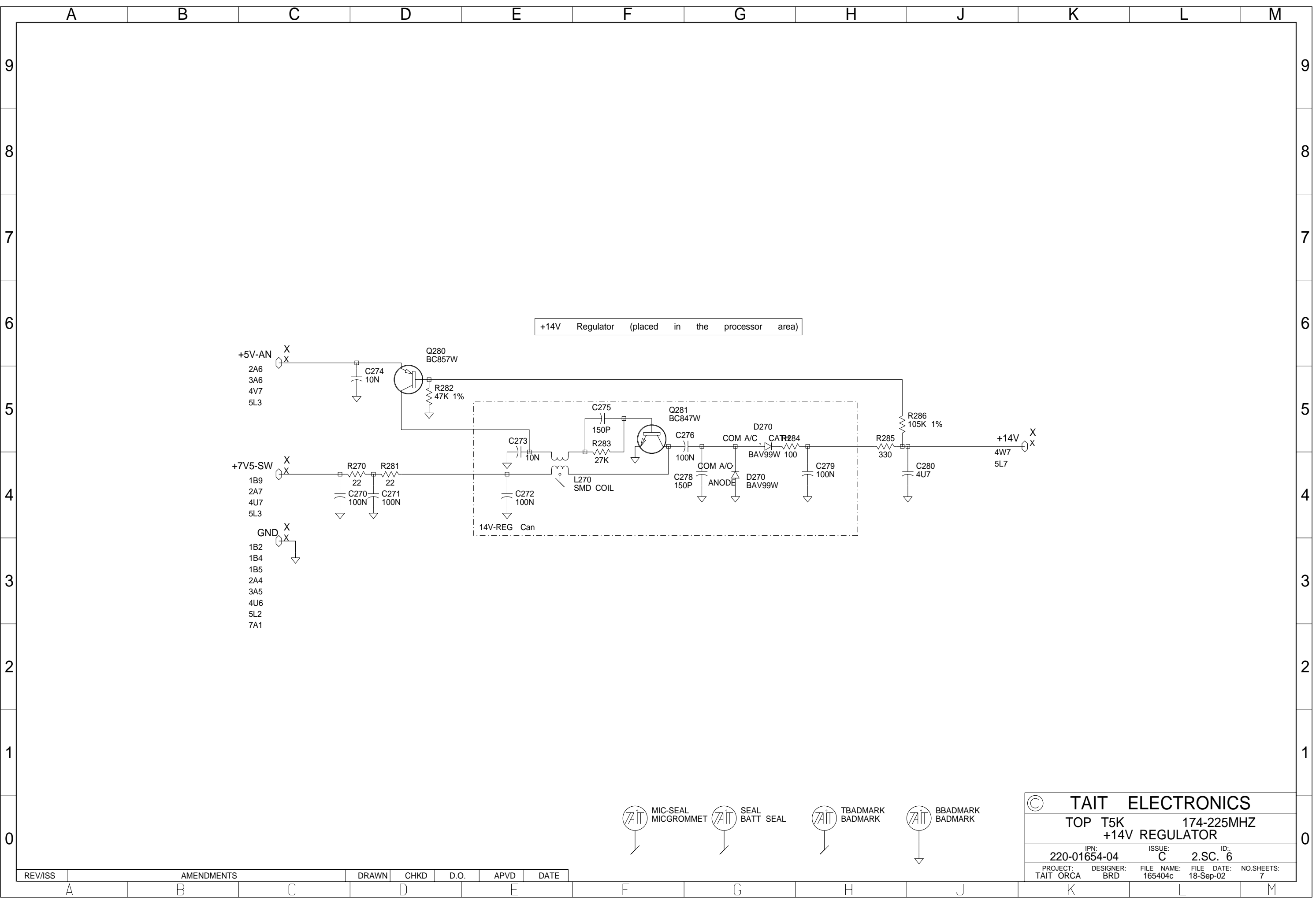
PIN-SW	X	PIN-SW	2R8
TX-INHIBIT	X	TX-INHIBIT	2M9
PWR-SET	X	PWR-SET	2H9
GATE-BIAS	X	GATE-BIAS	2R4
TX-CNTRL	X	TX-CNTRL	5J9
VCO-MOD	X	VCO-MOD	5J9
SY-DAT	X	SY-DAT	5G9
TCXO-MOD	X	TCXO-MOD	5A9
SY-CLK	X	SY-CLK	5G9
SY-EN	X	SY-EN	5F9
PWR-SAVE	X	PWR-SAVE	5A2
LCK-DET	X	LCK-DET	5H9
RX-DET-AF	X	RX-DET-AF	1B7
RSSI	X	RSSI	3R0
FE-BIAS	X	FE-BIAS	3A8
SQL-SET	X	SQL-SET	3R3
SQL-DET	X	SQL-DET	3R3
DCFB	X	DCFB	3R3
WB-WB	X	WB-WB	3R2

© TAIT ELECTRONICS
 TOP T5K 174.225MHZ
 PROCESSOR
 IPN: 220-01654-04
 PRODUCT: DESIGNER: FILE NAME: DATE: NO SHEETS:
 TAIT ORCA BRD 16404G 18-Sep-02 7



© TAIT ELECTRONICS
 TOP T5K 174-225MHZ SYNTHESISER
 IPN: 220-01654-04 ISSUE: C ID: 2.S.C. 5
 PROJECT: TAIT ORCA DESIGNER: BRD FILE NAME: 165404c FILE DATE: 18-Sep-02 NO.SHEETS: 7

REV/ISS	AMENDMENTS	DRAWN	CHKD	D.O.	APVD	DATE



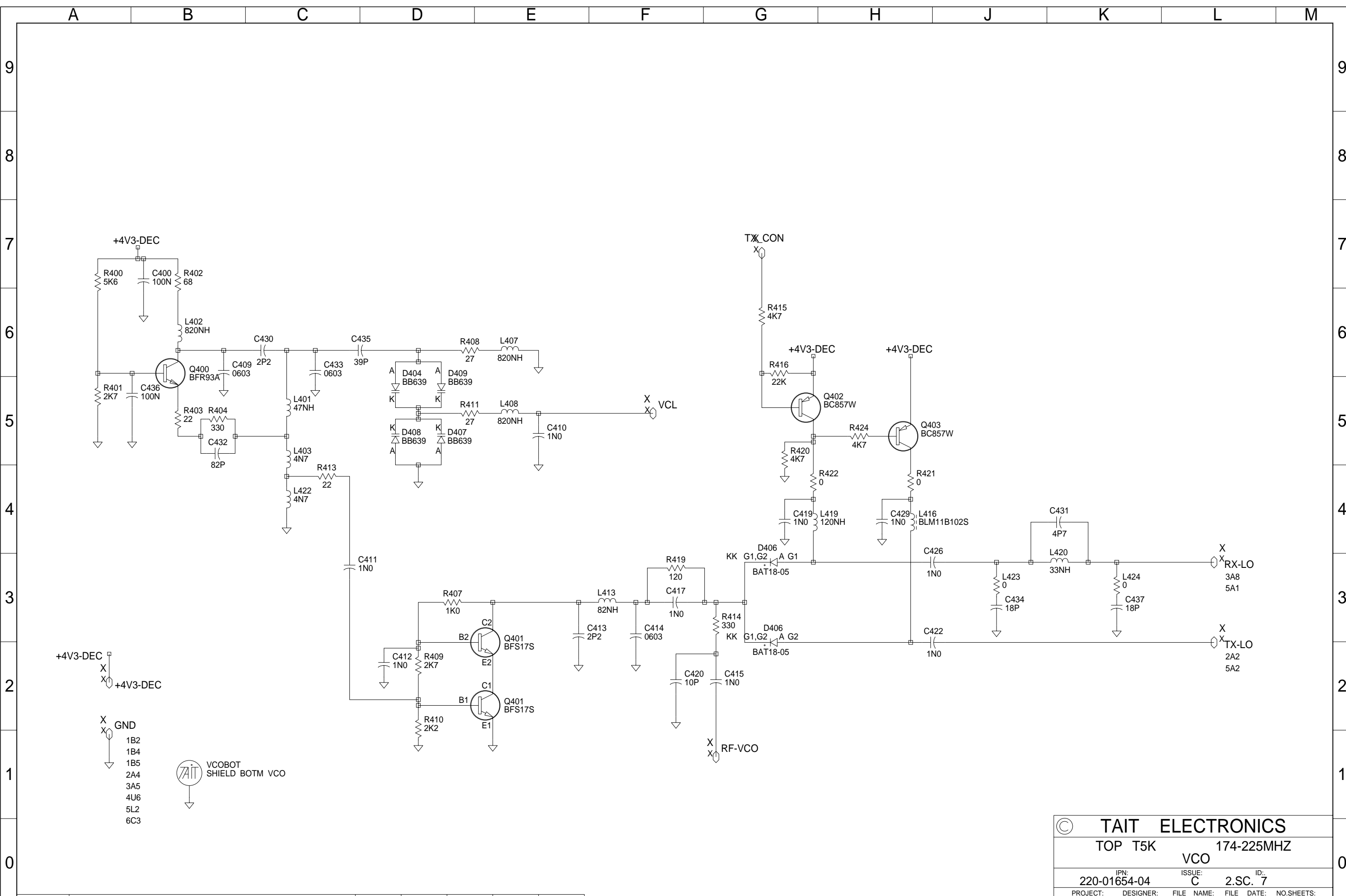
+14V Regulator (placed in the processor area)

- +5V-AN X
 - 2A6
 - 3A6
 - 4V7
 - 5L3
-
- +7V5-SW X
 - 1B9
 - 2A7
 - 4U7
 - 5L3
-
- GND X
 - 1B2
 - 1B4
 - 1B5
 - 2A4
 - 3A5
 - 4U6
 - 5L2
 - 7A1

- MIC-SEAL MICGROMMET
- SEAL BATT SEAL
- TBADMARK BADMARK
- BBADMARK BADMARK

© TAIT ELECTRONICS			
TOP T5K		174-225MHZ	
+14V REGULATOR			
IPN:	ISSUE:	ID:	
220-01654-04	C	2.SC. 6	
PROJECT:	DESIGNER:	FILE NAME:	FILE DATE:
TAIT ORCA	BRD	165404c	18-Sep-02
			NO.SHEETS: 7

REV/ISS	AMENDMENTS	DRAWN	CHKD	D.O.	APVD	DATE



© TAIT ELECTRONICS	
TOP T5K	174-225MHZ
VCO	
IPN: 220-01654-04	ISSUE: C
DESIGNER: BRD	FILE NAME: 165404c
PROJECT: TAIT ORCA	FILE DATE: 18-Sep-02
NO. SHEETS: 7	ID: 2.SC. 7

REV/ISS	AMENDMENTS	DRAWN	CHKD	D.O.	APVD	DATE